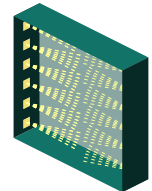


# MW-MLD-3535-3W-LENS-C1



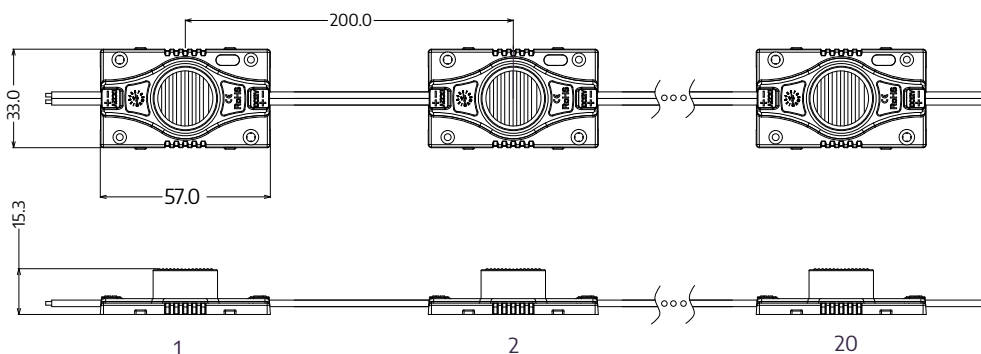
12-30 cm

double-sided  
lightboxes



- luminous efficacy 105 lm/W
- for indoor and outdoor use
- built-in heat sink plate
- 20 pcs in chain

## DIMENSIONS



# MW-MLD-3535-3W-LENS-C1



## TECHNICAL SPECIFICATION

Parameter	Value
Rated voltage	12 V DC
Power consumption per module	3 W
Chain power consumption	60 W
Current consumption per module	250 mA
LED diodes	San'an led - 3535
Quantity of LEDs	1
Light color	W - white (6500K)
Flux	315 lm
Flux density	105 lm/W
Color rendering index CRI	≥70
Beam characteristic	20 x 40°
Current stabilization	Yes
Dimming	Yes
Module dimensions (L × W × H)	57 × 33 × 15 mm
Cable length	143 mm
Number of modules in 1 m	5
Box weight	13 kg
Montage	Adhesive tape / mounting screw
Lifetime	L70B50 > 50000h
Working temperature	-25°C ... +55°C
IP protection	IP67
Warranty	5 years

# MW-MLD-3535-3W-LENS-C1



## CONNECTION DIAGRAM

One-side power input



Maximum number of modules 20 pcs

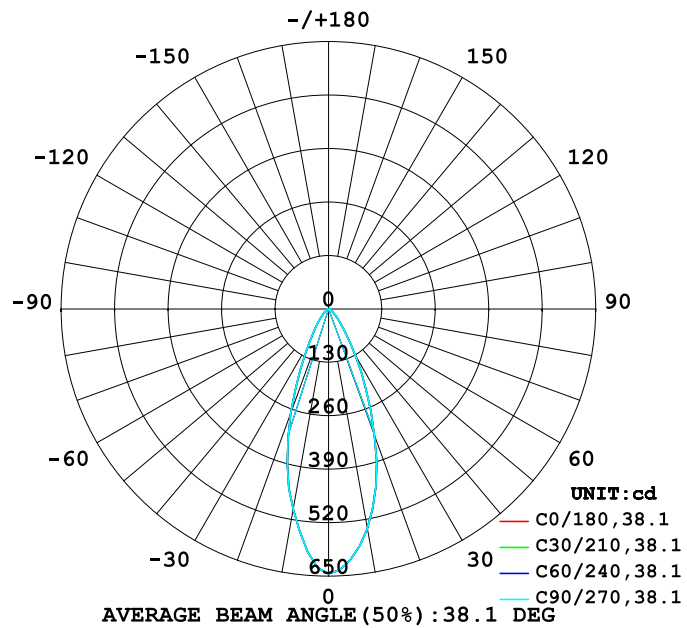
Two-side power input



Maximum number of modules 40 pcs

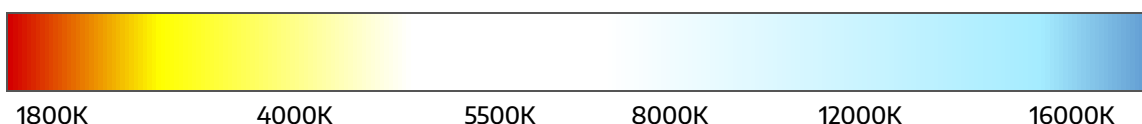
It is acceptable to connect multiple chains in parallel, as long as the power supply provides sufficient power.

## ENERGY LABEL / BEAM ANGLE



## LIGHT COLOR / CCT

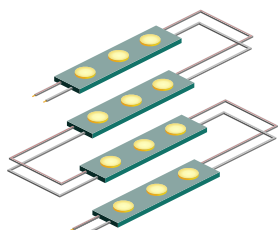
Abbreviation	Light color	CCT
WW	warm white	~3000K
NW	neutral white	~4000K
W	white	~6500K
CW	cold white	~10000K



# MW-MLD-3535-3W-LENS-C1



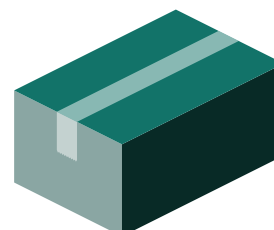
## PACKING



Chain  
**20 pcs**



Bag  
**20 pcs**



Box  
**320 pcs**